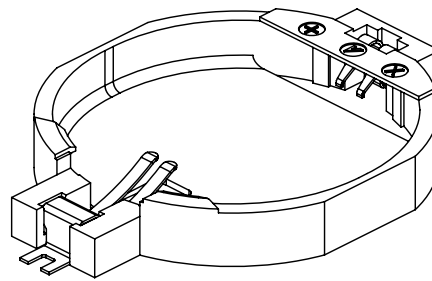
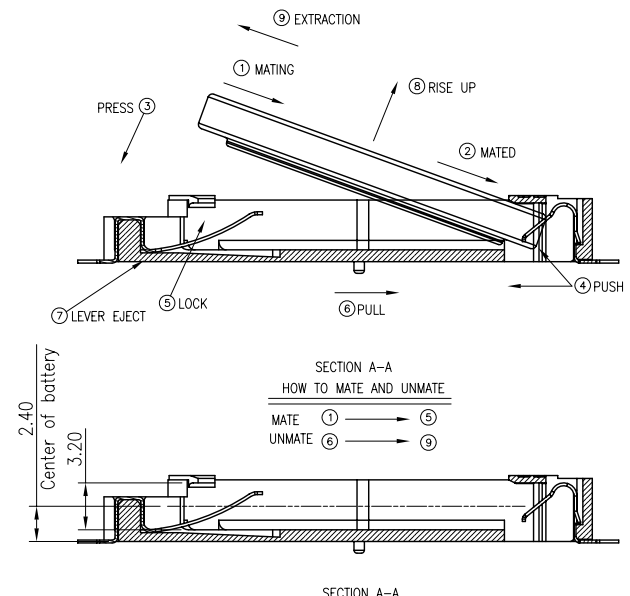


RECOMMENDED P.C.B LAYOUT  
GENERAL TOLERANC ±0.05



NOTES:  
1.MATERIAL:  
1.1 CONTACT: PHOSPHOR BRONZE.  
1.2 HOUSING:HIGH TEMPERATURE THERMOPLASTIC.  
2.FINISH:  
2.1 CONTACT AREA:  
50~100u" NICKEL UNDER PLATING OVER ALL.  
2: GOLD FLASH ON CONTACT.  
2.2 SOLDER AREA:  
50~100u" NICKEL UNDER PLATING OVER ALL.  
2: 80~150u"MATTE TIN ON SOLDER  
3.SPEC.PLS REFER TO PS-53014-XXXX-XXX  
4.PACKAGE PLS REFER TO 54983-XXXX-XXX-TRP  
5.BATTERY DIAMETER 24.5mm  
6.BATTERY HEIGHT 3.0mm  
7.PART NUMBER:  
54983-X X X X-XXX  
001:NORMAL  
CKT:002 PLATING  
PACKING 2: GOLD FLASH ON CONTACT  
0: TAPE & REEL AND MATTE TIN ON SOLDER  
1: TUBE



一般公差 <b>TOLERANCES</b> X ±0.5 .XX ±0.15 X ±0.25 .XXX ±0.1 ANGLES ±2°		<b>宏致電子股份有限公司</b> <b>Acers Electronics Co.,Ltd.</b>	
檢驗尺寸標示 SYMBOLS ⊕ ⊗ INDICATE CLASSIFICATION DIMENSION ⊕ MARK IS CRITICAL DIM. ⊗ MARK IS MAJOR DIM.	品名 (TITLE) BATTERY HOLDER 4.6H CONN. SMT TYPE	製圖 (DR) Xiaoxiong 17'/03/03 審核 (CHKD) Andrew	圖號 (DWG.NO) 54983-XXXX-XXX 核准 (APPD) Charleslee
表面處理 (FINISH)	比例 (SCALE) 2:1	單位 (UNITS) mm	張數 (SHEET) 1 OF 1 SIZE A4 REV 0